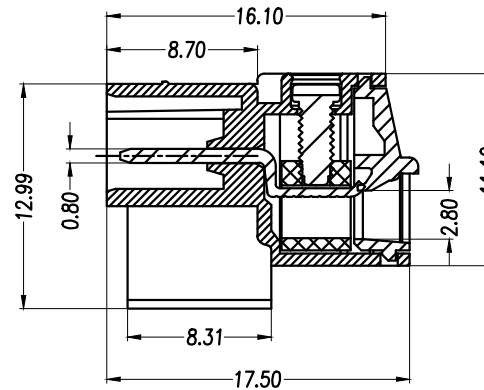
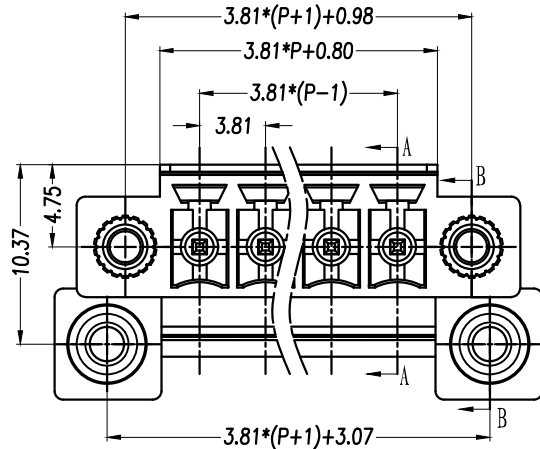
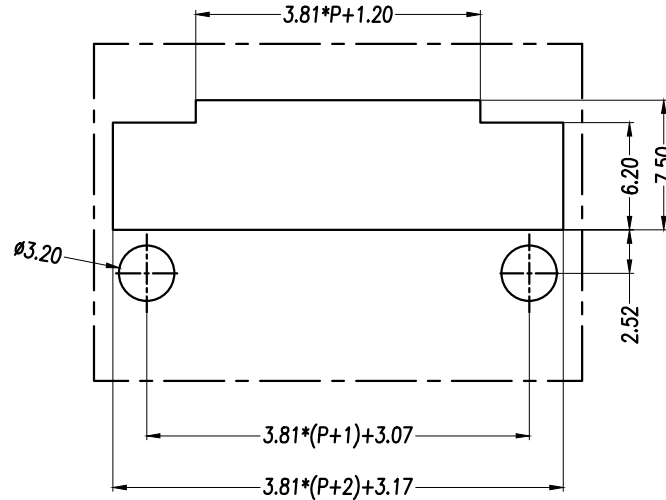
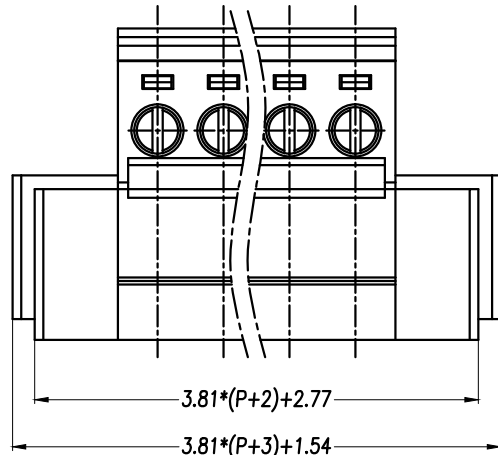
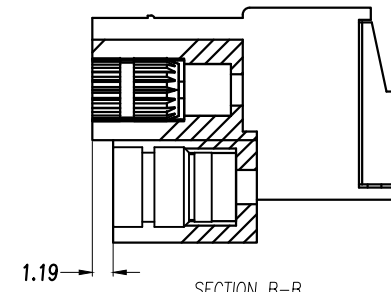


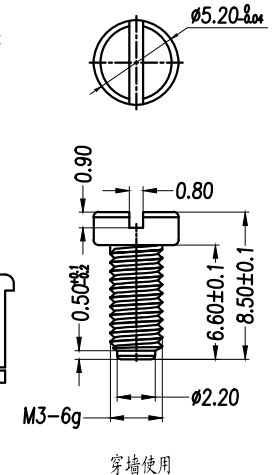
REVISION		RECORD		
REV.	CONTENT	TITLE	MOD.	DATE
△	初版发行			



SECTION A-A



SECTION B-B



1. Voltage Rating: 300V, Current Rating: 8A
2. PITCH: 3.81mm
3. Insulation Withstands Voltage: AC2500V/min
4. Insulation Resistance: 500MΩ or more at DC500V
5. Using Temperature Range: -40°C - +105°C
6. Suitable Electric Wire: 28-16AWG
7. Screw Torque Value: 0.4Nm

技术要求:

1. 额定电压: 300V, 额定电流: 8A
2. 间距: 3.81mm
3. 耐压值: AC 2500V/min
4. 绝缘电阻500兆欧
5. 使用条件: -40°C - +105°C
6. 适用线规: 28-16AWG
7. 螺丝扭力: 0.4Nm

	pitch dimension			Nominal dimension					— ▭ ⌒
	over 0 to 6	over 6 to 10	over 10 to 24	over 0 to 30	over 30 to 60	over 60 to 100	over 100 to 150		
variable range	0	6	10	0	30	60	100	150	
Tolerance	±0.1	±0.15	±0.25	±0.2	±0.3	±0.5	±0.7	±1.0	0.05/10

8	LG636 (一字平头螺丝)	SPOYA306601V	2	碳钢	三价铬钝化彩锌
7	LZ1HM-7.62耳朵螺母	SM00B300000V	2	黄铜	
6	LZ1-5.08耳朵螺母	SM00B250000V	2	黄铜	
5	LC1-3.81-螺丝	SPOYA204801V	P	碳钢	三价铬钝化彩锌
4	LC10-3.81-方针	1052B0001AV	P	紫铜	镀雾锡
3	LC1-3.81-铜方块	FLA0BLC3813V	P	黄铜	镀镍
2	LC1-3.81-盖子	1002C0YXXAV	1	PA66-V0	
1	LC10MGC2-3.81-本体	1163M40XXAV	1	PA66-V0	
NO.	NAME OF PART	NO. OF PART	Q' TY	MATERIAL	NOTES
DES.	ZJL	DATE	2021/11/22	UNITS	mm
CHK.		DATE		SIZE	A4
APP.		DATE		SCALE	1:1
				DWG NO.	SP-2-1002002
				REV:	V0
上海有乐电气有限公司 Shanghai YouLe Electric CO., LTD				TITLE LC10MGC2-3.81-XXP-1Y-00A LC10MGC2-3.81-成品	